



SERVING THE FOOD INDUSTRY SINCE 1951

30" Countertop Stainless Steel Electric Griddle with 30" x 15.5" Cooking Area - 208-220V, 4500W

ITEM: 43214

MODEL: CE-CN-0766



Removable Grease Tray



Adjustable Temperature Control

Your versatile kitchen appliances that offer a range of features to make cooking more convenient and enjoyable.

Made up of durable stainless steel construction that is suitable for commercial use. Designed to be safe and energy efficient. Features over heating protection and have a temperature range of 65-300°C / 150-570°F.

FEATURES:

- Commercial heavy-duty stainless steel construction
- Quick heating and large cooking area
- Top and bottom double welding technology
- High efficiency stainless steel heating element
- Thick steel cooking plate, high heat retention and even heating
- Stainless steel control knobs
- Large removable grease tray
- Extra steel splash-guard inside and back for protection against grease and spills
- Power and heating lights
- High output, high efficient and energy saving



Telephone: 1-800-465-0234

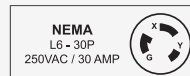
Fax: (905) 607-0234

Email: sales@omcan.com

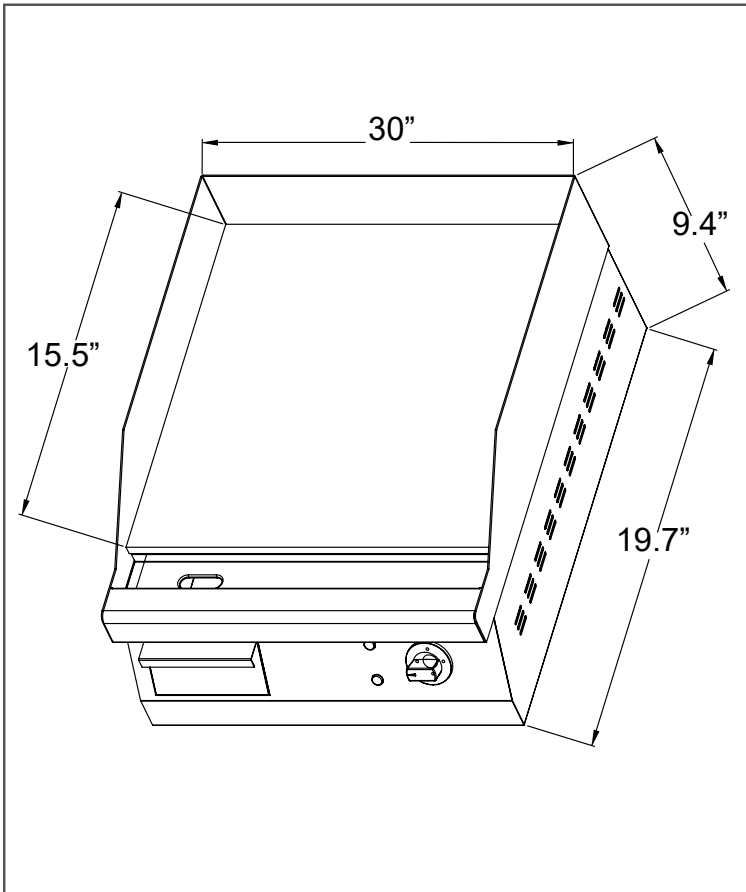
Website: www.omcan.com



Authorized Dealer



TECHNICAL DRAWING



TECHNICAL SPECIFICATION

Item	43214
Model	CE-CN-0766
Cooking Area (WD)	30" x 15.5" / 760 x 394 mm
Temperature	65° - 300°C / 150° - 570°F
Power	4500W
Amps	20.5 A
Electrical	208-220V / 60Hz / 1Ph
Net Weight	97 lb. / 44 kg.
Net Dimensions (WDH)	30" x 19.7" x 9.4" / 766 x 502 x 239 mm
Gross Weight	110 lb. / 50kg.
Gross Dimensions (WDH)	34" x 23" x 13" / 866 x 582 x 330 mm
Plug Type	NEMA L6-30P